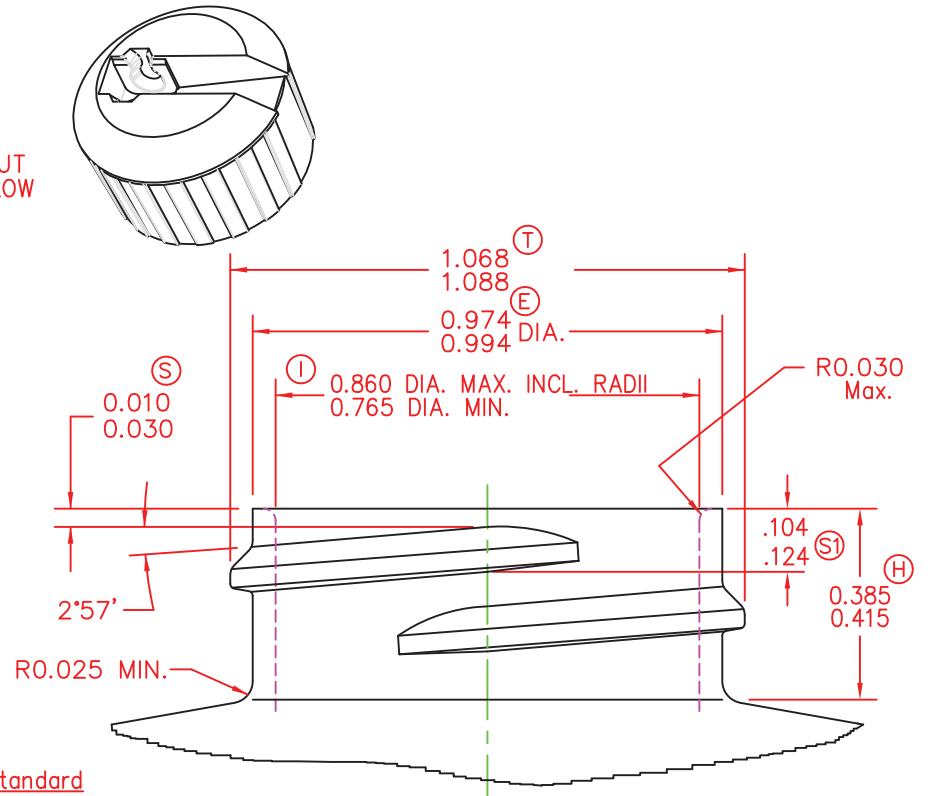
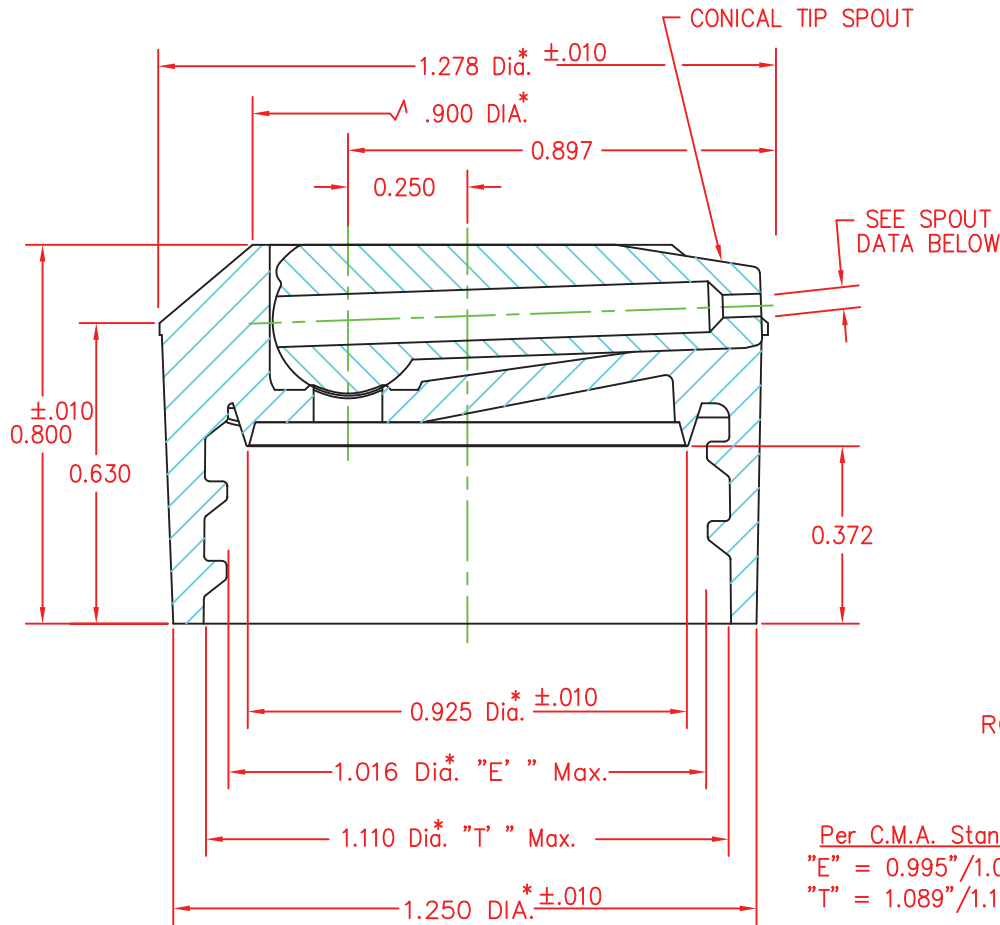




101735

28-400 White PP Flip Spout Dispensing Closure
K.G. International - sales@kgint.com - +1 305 499-9816



Per C.M.A. Standard
 "E" = 0.995"/1.009" Dia.
 "T" = 1.089"/1.103" Dia.

SEAL TYPE NO. 1: VALVE SEAL (THE MOST EFFICIENT PROVIDED BOTTLE HAS PROPER "I" DIMENSION)
 SEAL TYPE NO. 2: LAND SEAL ("I" DIMENSION OF BOTTLE LESS CRITICAL THAN ABOVE)
 DIMENSIONS MARKED * ARE AN AVERAGE OF TWO MEASUREMENTS TAKEN 90° APART.
 GENERAL TOLERANCE NOT SHOWN OTHERWISE: $\pm .008$

BOTTLE NOTES:

- 1) THREAD; 6 PITCH, PER S.P.I. STANDARD
- 2) DIAMETERS MUST BE CONCENTRIC WITHIN .015" T.I.R.
- 3) ALL DIMENSIONS ARE IN INCHES UNLESS OTHERWISE INDICATED.